



ISO 9001 Quality Management System | WBENC-Certified WBE | THE TRAILER EXPERTS - SINCE 1974

Product Sheet

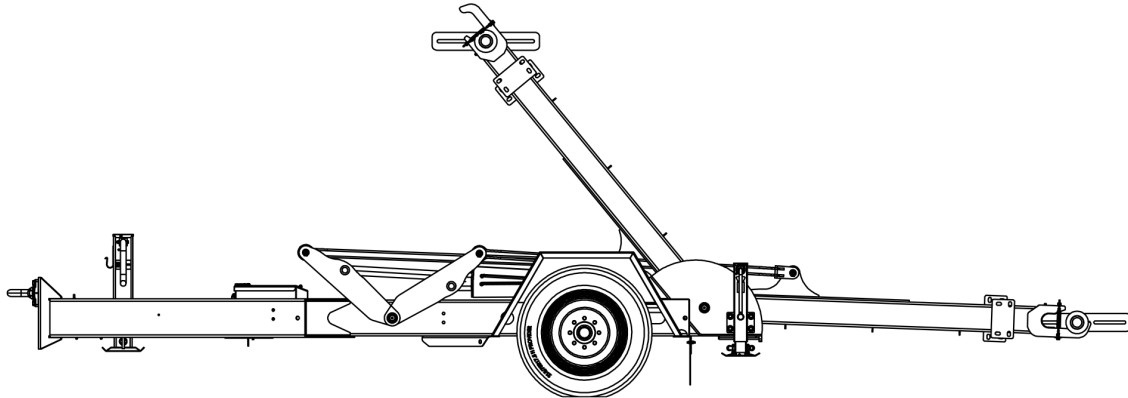
Felling Trailers, Inc. 2021

www.felling.com • 1-800-245-2809

1525 Main Street South

Sauk Centre, MN 56378

FT-8 SLR		Self Loading Reel Series	
GVWR LBS: 9,200	GAWR LBS: 8,000	WEIGHT LBS: 2,540	CAPACITY LBS: 6,660



Feature Name	Standard Features	Std. Qty	UOM
Model	FT-8 SLR	1	
Overall Length	Overall Length in Feet	13.5	Feet
Frame Type	8" x 3" x .25" Tube	1	Std
Reel Bar	2 7/8" x 3/8" Wall Tube With Crossarm and Locking Collar	1	Std
Reel Bar	SAE 660 Bronze Reel Bar Saddle	1	Std
Reel Capacity	Capacity for up to a 120"(H) X 60"(W) Reel	1	Std
Width	102" OD, 66" ID	1	Std
Brakes	Electric, FSA (Fwd Self Adj) On All Axles	1	Std
Axles	8K Oil Bath	1	Std
Suspension	Rubber Torsion	1	Opt
Tires & Wheels	215/75R 17.5 H, 8 Bolt [17.5 x 6.75] Plate Wheel	2	Each
Hitch Type	3" Adjustable Lunette Eye/Pintle, [C] 50,000 lb Plate Mount (5/8" Bolt)	1	Std
Jack	12K w/ Spring Loaded Drop Leg, Side Wind	1	Std
Stabilizer Jack	10K Drop Leg Side Wind Stabilizer Jacks	1	Pair
Lights	LED, 4 tail light system, Sealed Wiring Harness	1	Std
Plug	7 Pole RV	1	Std
Trailer Color	Felling Black # CCA945378 (White Felling Decal)	1	Std
Standard	3/8" Safety Chains, Grade 70	1	Std
Standard	Elec/Hydraulic Pump with 12 V battery in Lockable Enclosure	1	Std
Standard	Document Holder	1	Std
GVWR	9,200 lbs	1	Std