

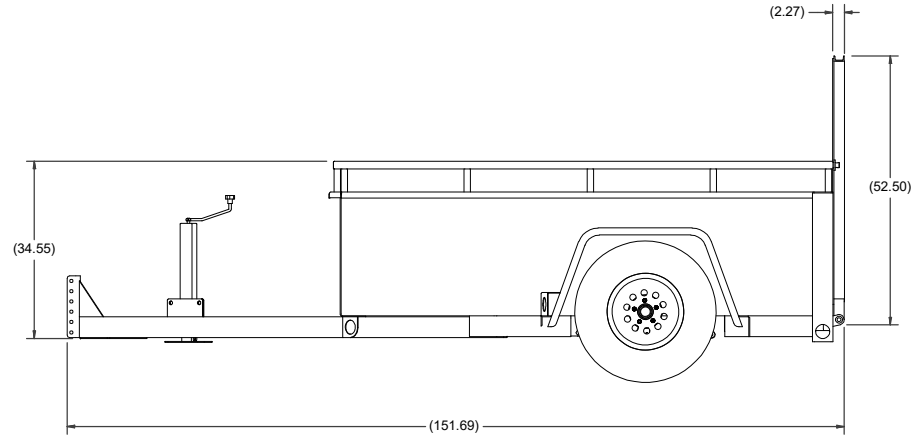
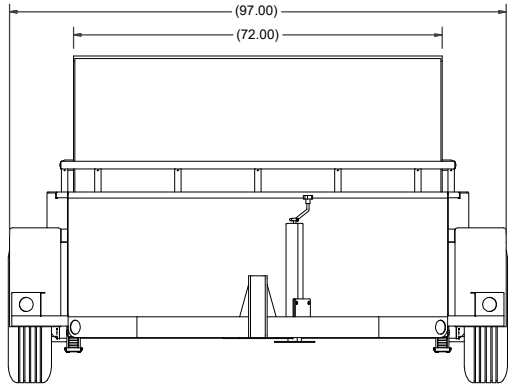
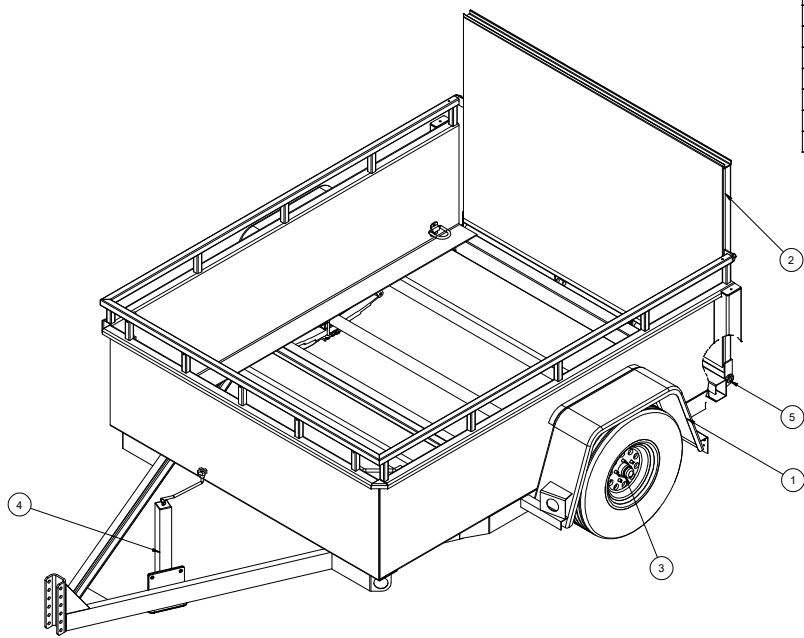
4

3

2

1

PARTS LIST			
ITEM	QTY	PART NUMBER	TITLE
1	1	1001941	WLD TLR 3 OT 8' WOOD 74 ID
2	1	FWR-0008	WLD RMP FWR FT-3 5 OT 74W FUR
3	1	IX035D89X72I5EZ	AXLE IDLER 3.5K 89.0 HF
4	1	JW-1000	WLD JACK 7K TWD SP
5	2	M0830	WLD SHAFT RMP FT-3
6	2	RS010	RAMP SPRING 1" SHAFT LH
7	2	RS011	RAMP SPRING 1" SHAFT RH



ECO#	REV	DESCRIPTION	DATE	BY
	-		2/16/2015	

4

3

2

1

Welding Standard 	Area: N/A Weight: N/A Tolerances Unless Noted Linear: XXX ±.13 Angular: .5° F 3rd angle Do not scale.		Title: ASY TLR 3 OT 8' WOOD 74 ID SPR NO BRAKES FWR
	1.800.245.2809 www.felling.com		
Sheet Size: B Sheet: 1 of 1 Drawn By: SLB Date: 2/16/2015 Rev: -	Drawing Number: 1001942		