

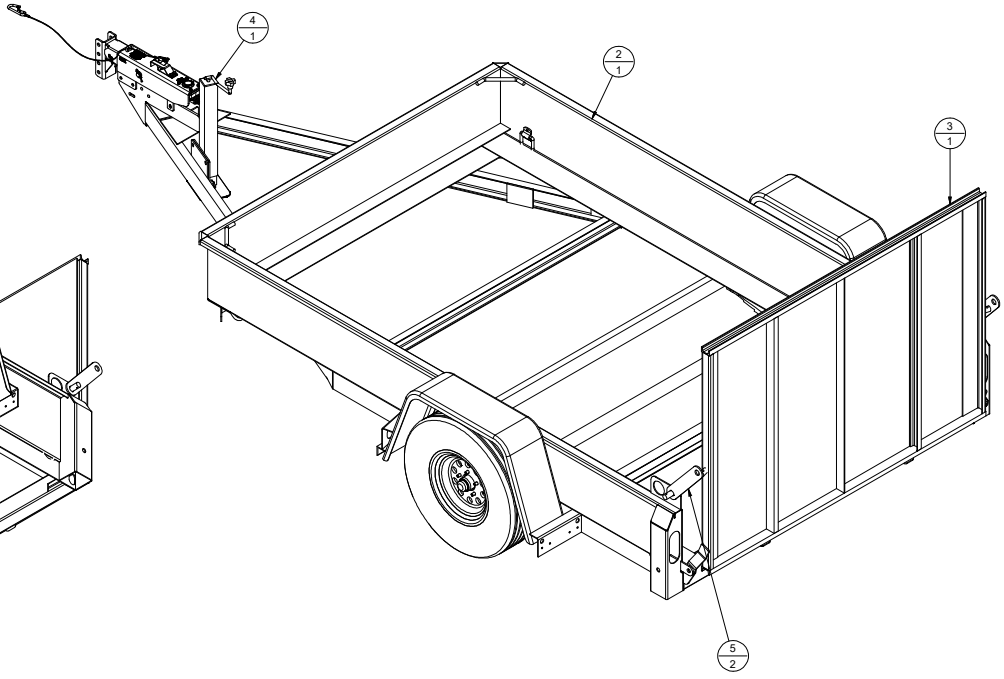
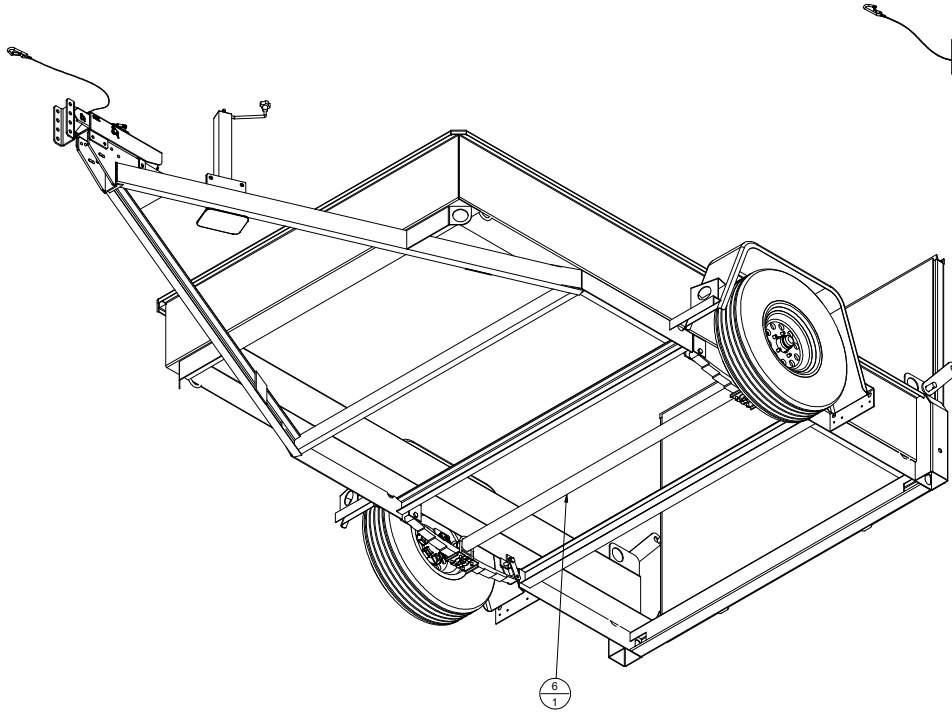
4

3

2

1

PARTS LIST				
ITEM	QTY	PART NUMBER	TITLE	
2	1	1009438	WLD TLR FT-3 10' 74 ID SPR	
3	1	FWR-0003	WLD RMP FWR FT-3 74W FOR	
4	1	JW-1000	WLD JACK 7K TWD SP	
5	2	M0085	RAMP LOCK STRAP 12.5"	
6	1	X035D89X72H5EZ	AXLE HYD 3.5K 89.0 HF	
11	1	2003860	ACTUATOR HYD 8K BOLT-ON	



ECO#	REV	DESCRIPTION	DATE	BY
	A	2003860 WAS 1007240	7/29/16	LEM

	Area: 47311 sq"2 Weight: 1290.1 lbmass Tolerances: Unless Noted Linear: .XXX ±.13 X.XXX ±.063 Angular: .1° F 3rd angle Do not scale.		1800.245.2809 www.felling.com No representation of this drawing without permission of Felling Trailers.	1525 Main Street S Shakopee, MN 55278	Title: ASY TLR FT-3 10' 74 ID SPR WOOD HYD BRAKES FWR
	Sheet Size: B Sheet: 1 of 2 Drawn By: LEM Date: 7/28/2016 Rev: A				

4

3

2

1